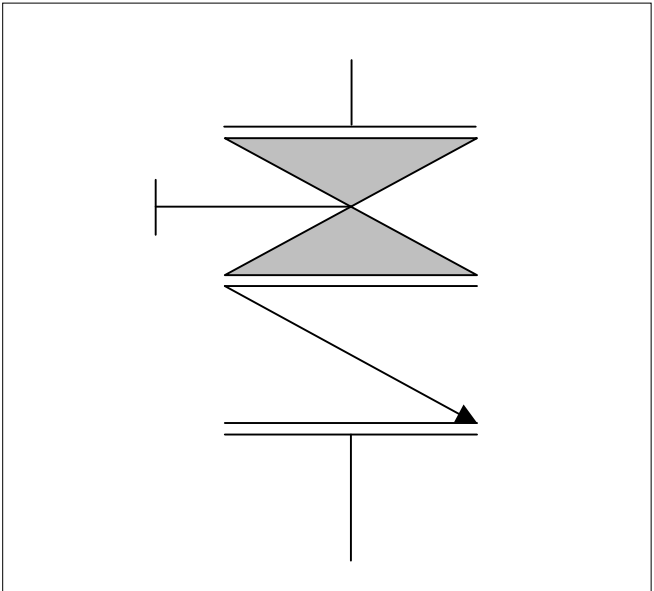
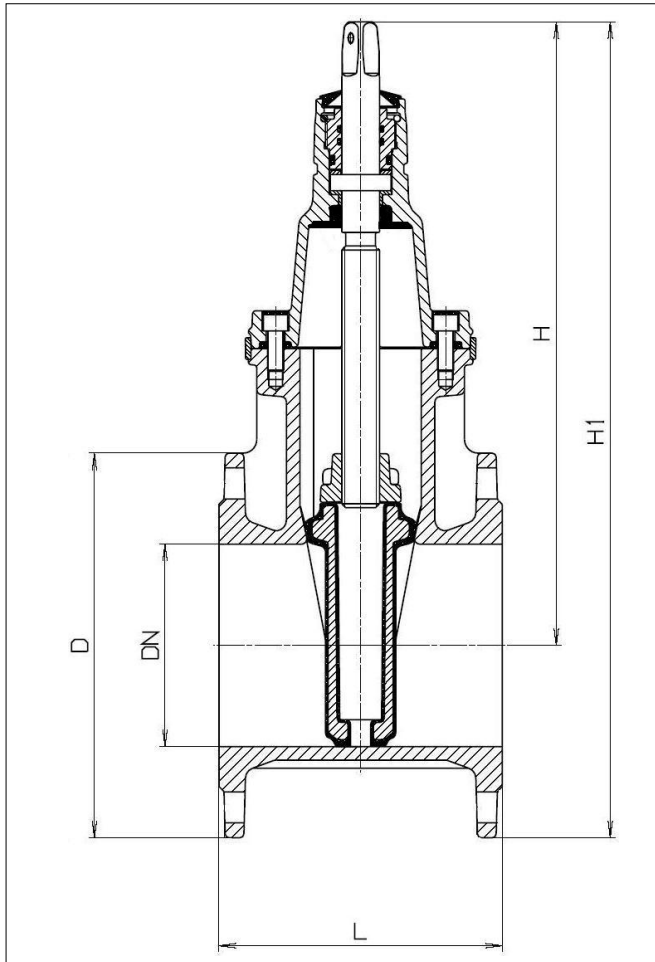


## TECHNICAL SPECIFICATION TYPE 17 RUBBER WEDGE GATE VALVE PN10/16

- Body and bonnet ductile cast iron GGG40 DIN 1693
- Wedge ductile iron GGG40 vulcanised EPDM / NBR
- Spindle stainless st (X20Cr13) / (X2CrNiMo 18 10) rolled thread.
- Face To Face dim short / long DIN 3202 – F4 / DIN 3202 – F5
- Flanges DIN 28605 drilled DIN 2501
- Epoxy powder coating.
- Easy opening and closing with complete sealing.
- Max temp 80 gr C.
- Maintenance free.

### DIMENSIONS

DN	50	65	80	100	125	150	200	250	300	350	400	450	500	xx
D	165	185	200	220	250	285	340	400	455	520	580	640	715	
H	237	255	288	334	403	465	551	662	758	839	949	949	949	
H1	320	347	388	444	528	608	721	862	986	1099	1251	1285	1320	
Ls	150	170	180	190	200	210	230	250	270	290	310			
LL	250	270	280	300	325	350	400	450	500		600	650	700	
Weight s	10.5	13.5	16.5	21.0	28.5	37.0	61.0	96.0	145.0	185.0	267.0			
Weight L	11.5	14.5	18.0	24.0	32.5	41.0	75.0	108.0	163.0		303.0	335.0	370.0	



**MONTI VALVES B.V.**  
 AMPERESTRAAT 52 – 54 1446 TS PURMEREND  
 The Netherlands  
 Tel.: +31 (0)299 641118 FAX.: +31 (0)299 644999

